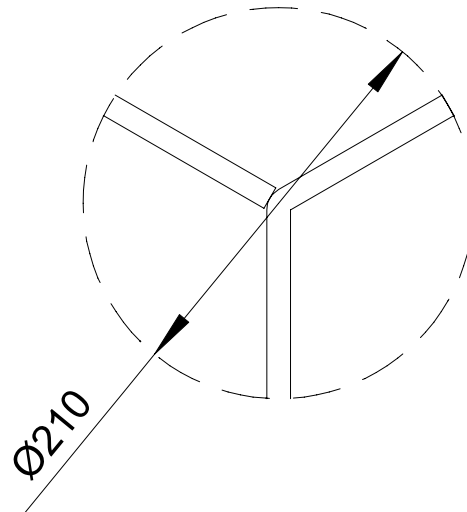
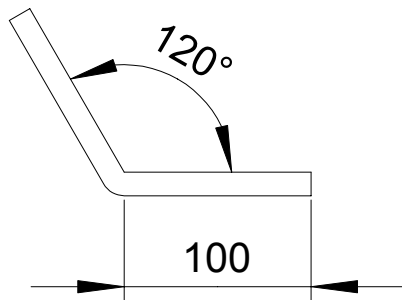


Length to suit the inside diameter of the pipe



Drawing No.  
TJ-3B-1.0-05

Оташ Амудӣ  
Оташ Амудӣ  
Vertical Fire

Model 3B  
Version 1.0  
5 May 2016

© C Pemberton-Pigott 2016

# Grate Support

Materials:  
12.7m round bar